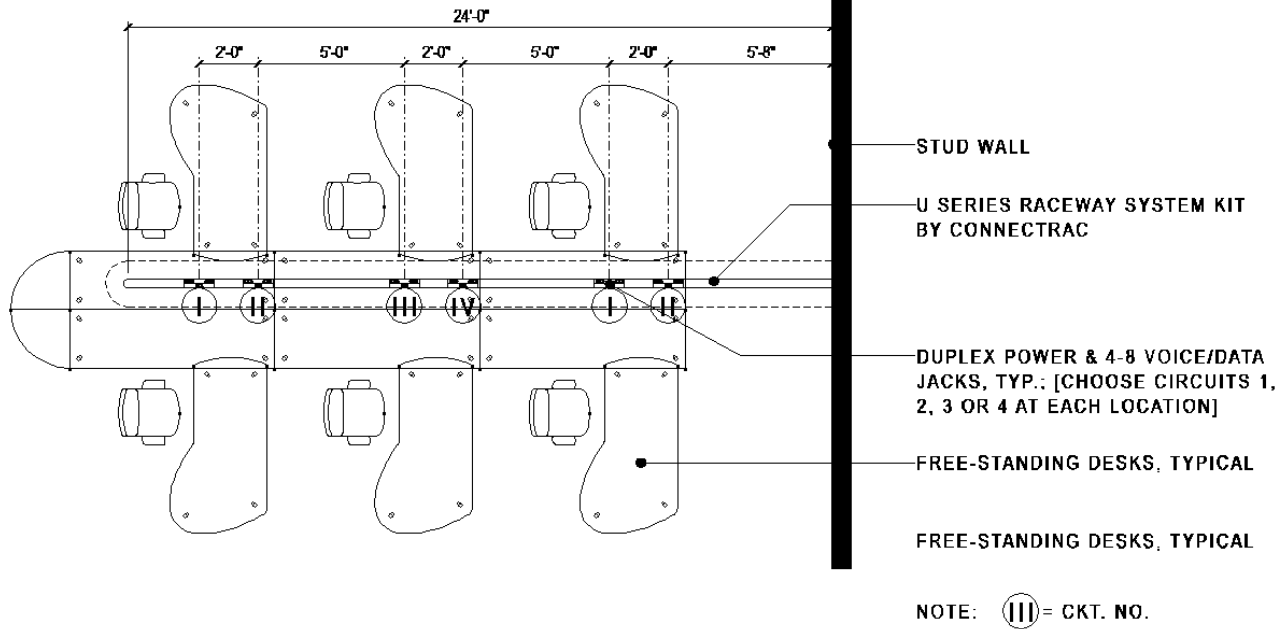


FREE-STANDING DESKS

-connectrac sample spec

U-01



SPEC: At each row of work stations, provide the following Connectrac[®] components:

1 - U Series 4-circuit, 8-wire Raceway System in overall length as indicated. Provide duplex receptacles [choose 15 Amp or 20 Amp], in quantity, circuit no. at each location [choose 1, 2, 3 or 4], and spacing as indicated on drawings. Contractor to provide junction box above ceiling for connection of flex conduit power supply from Connectrac raceway. Field-cut raceway components to required length.