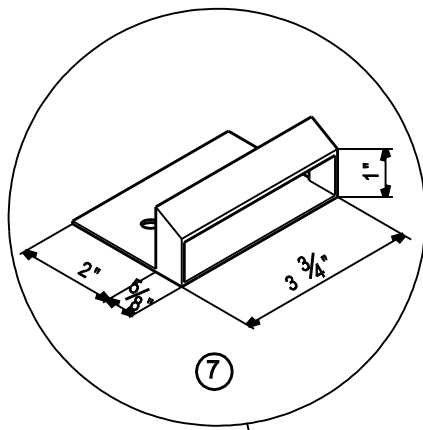
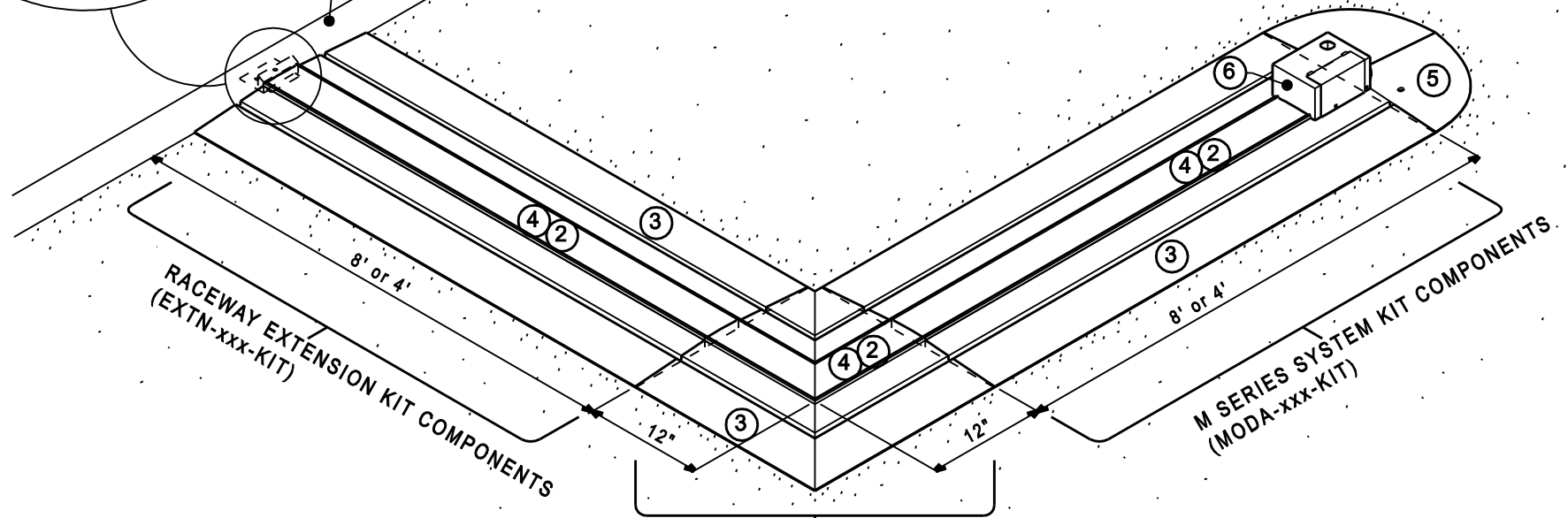


CONNECTRAC

Protected by US patents 6,566,598 and 6,844,493; other patents pending



Wall base by others; use template (TEMP-000) to cut wall base to shape of Connectrac raceway components



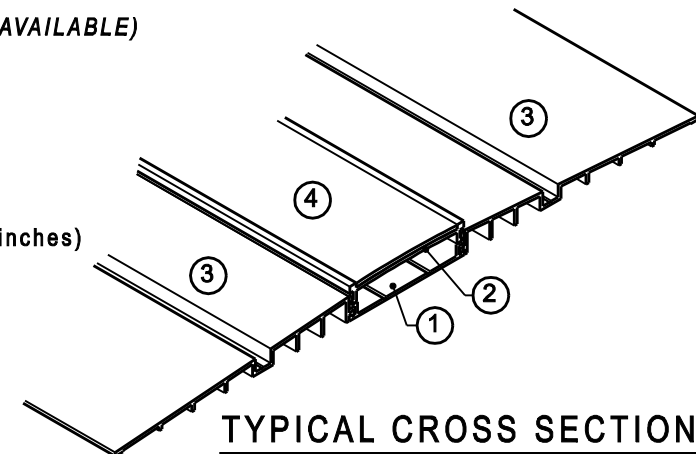
M SERIES SYSTEM COMPONENTS

(Ideal for systems furniture / cubicles; 4-ckt, 8-wire)

1. Extruded aluminum base track (8' or 4') (BTRK-xxx, where xxx = length in inches)
2. Extruded aluminum raceway cap (7.5' or 3.5') (CAPC-xxx, where xxx = length in inches)
3. Extruded PVC side ramps, 2 each, (8' or 4') (RAMP-xxx, where xxx = length in inches); to be covered by floor covering
4. Optional Roppe® rubber top finish strip (8' or 4') (RES-xxxx-xxx, where xxxx = color, and xxx = length, in inches)
5. Quarter-round end transition ramps, ABS plastic, 2 each (ENDR-000); to be covered by floor covering
6. Metal junction box for connection to furniture power conduit, and hole for communications cables to exit raceway, with 24' flexible conduit (standard 8-wire, 4-20 amp circuit) (MODA-288)
7. Optional rough-in box for new stud wall construction

Other items not shown:

8. Tapcon concrete screws and drill bit (SCRE-xxx and DBIT-000)
9. Written instructions / other information (INST-M-000)



TYPICAL CROSS SECTION