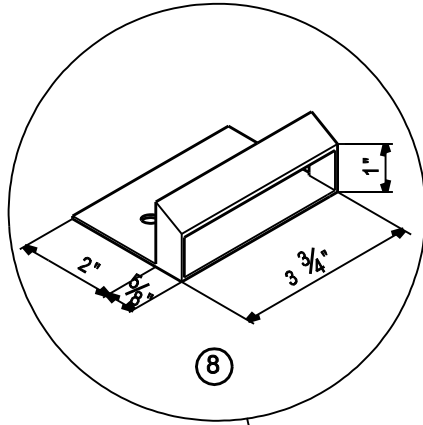
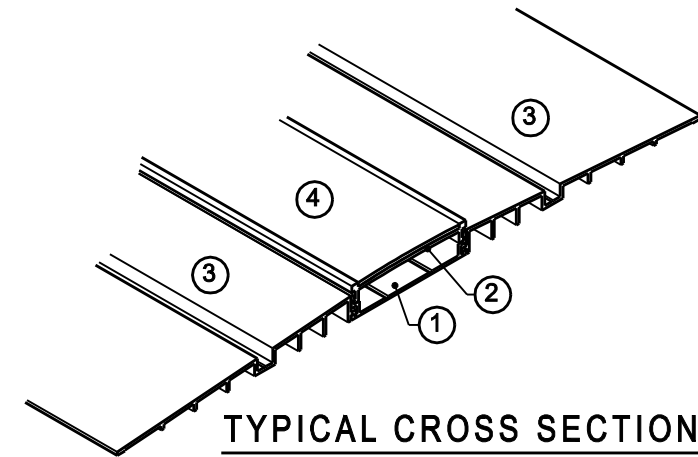


CONNECTRAC

Protected by US patents 6,566,598 and 6,844,493; other patents pending



Wall base by others; use template (TEMP-000) to cut wall base to shape of Connectrac raceway components



TYPICAL CROSS SECTION

U SERIES SYSTEM COMPONENTS

(Ideal for training tables, multiple freestanding desks)

1. Extruded aluminum base track (8' or 4') (BTRK-xxx, where xxx = length in inches)
2. Extruded aluminum raceway cap (7.5' or 3.5') (CAPC-xxx, where xxx = length in inches)
3. Extruded PVC side ramps, 2 each, (8' or 4') (RAMP-xxx, where xxx = length in inches); to be covered by floor covering
4. Optional Roppe® rubber top finish strip (8' or 4') (RES-xxxx-xxx, where xxxx = color and xxx = length in inches)
5. Quarter-round end transition ramps, ABS plastic, 2 each (ENDR-000); to be covered by floor covering
6. Metal outlet assembly containing 2 simplex outlets. Specify circuit 1, 2, 3 or 4 (RECM-001, -002, -003 or -004)
Device box cover (black ABS plastic), with attachment screws (COVM-000)
7. Optional rough-in box for new stud wall construction

Other items not shown:

8. Plastic voice / data adapter kit including misc. data and audio / visual ports (BEZL-000)
9. Tapcon concrete screws and drill bit (SCRE-xxx and DBIT-000)
10. Written instructions / other information (INST-U-000)
11. Power entry cable, 4-circuit, 8-wire; 24' long, with quick-connect fitting (MODC-288)
12. Standard "jumpers" between outlet assemblies, 4-circuit, 8-wire, standard lengths for 24", 30", 36", 42", 48", 54", 60", 66", 72", 84" or 96" o.c. spacing of outlet assemblies (JUMP-xxx)