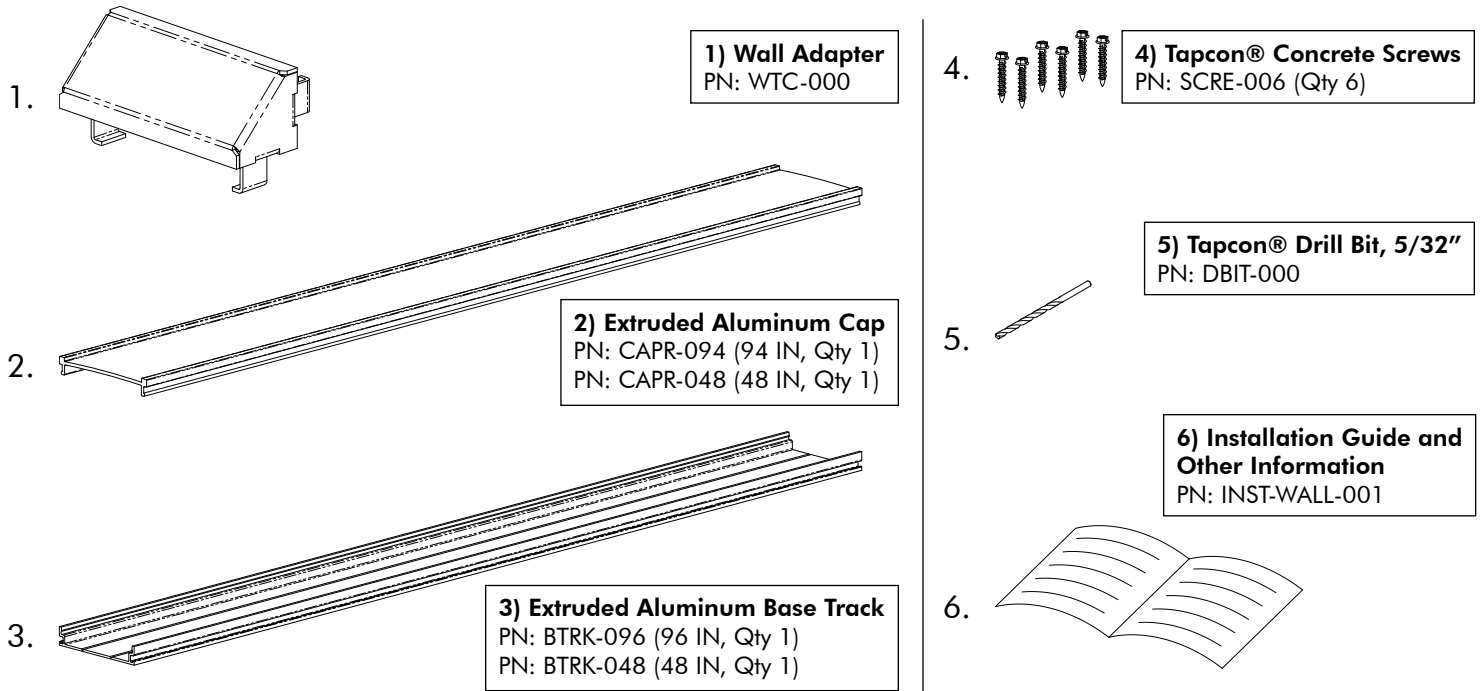




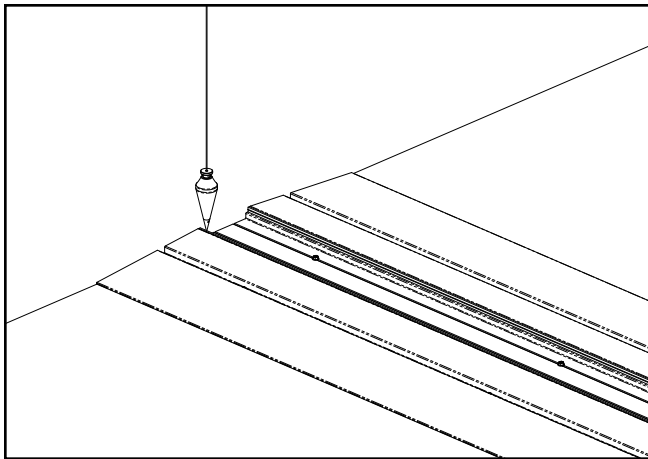
# CONNECTRAC™ WALL TRAC KIT™

## INSTALLATION GUIDE

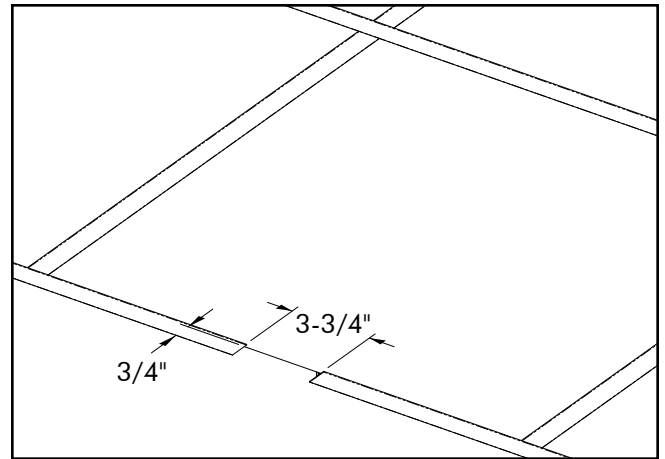


Contents of Wall Trac Kit

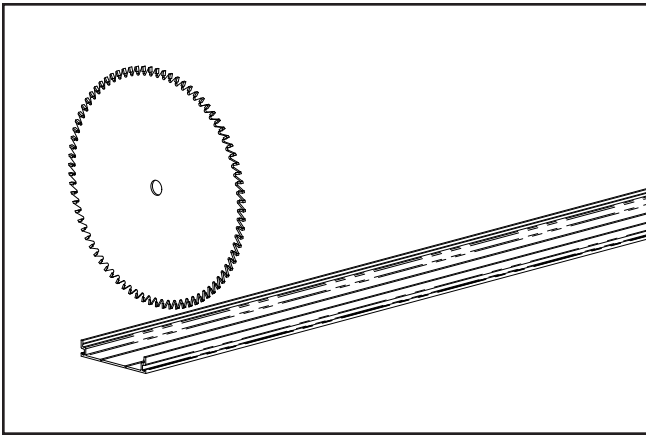
**BEFORE GETTING STARTED** - Wall surfaces must be flat and structurally sound. Aluminum and PVC Connectrac™ components which will be cut to length must be cut with a non-ferrous metal-cutting saw blade. The recommended 10-inch, 80-teeth saw blade is available from Connectrac™. This saw blade may be used with a miter (chop) saw, a radial arm saw or a table saw.



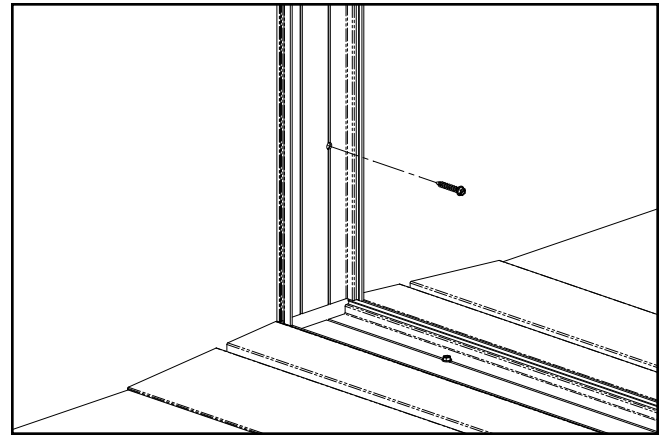
1. After installing the floor track, use a plumb bob to determine where to notch the ceiling for the wall track.



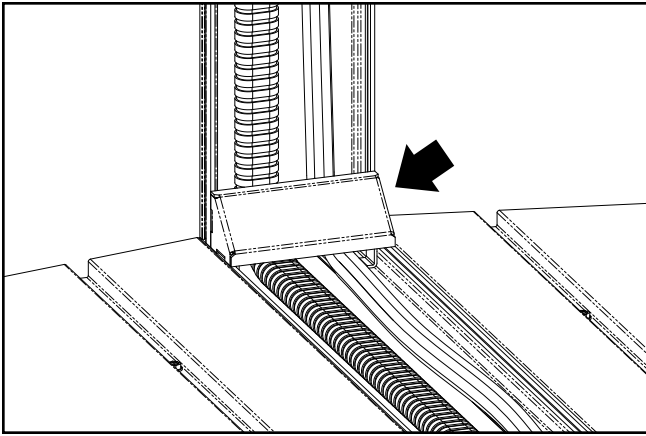
2. Cut a rectangular notch in the ceiling measuring 3-3/4 inches wide, and extending 3/4 inch from the wall.



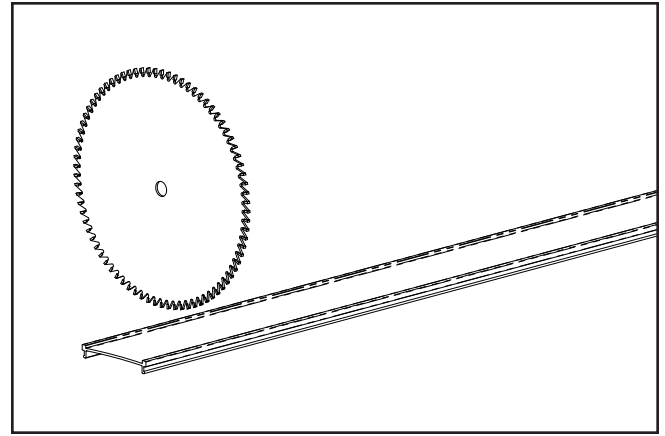
3. Saw the base track that will be mounted against the wall to the length needed to extend several inches into the ceiling.



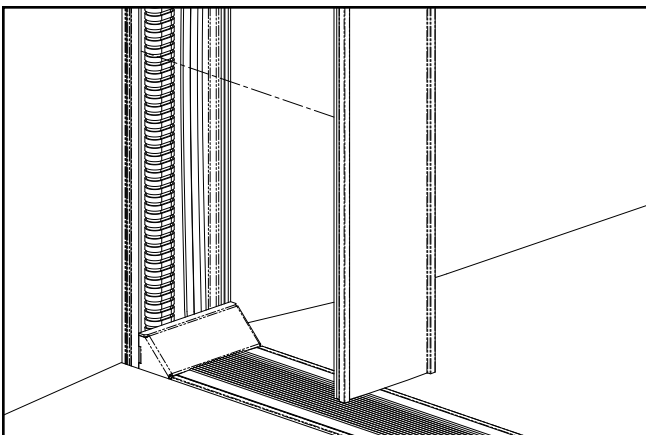
4. Predrill 1/4" holes in wall track 6" from the ends and a minimum of 36" on-center. Sit wall track atop base track and fasten it to wall with concrete screws.



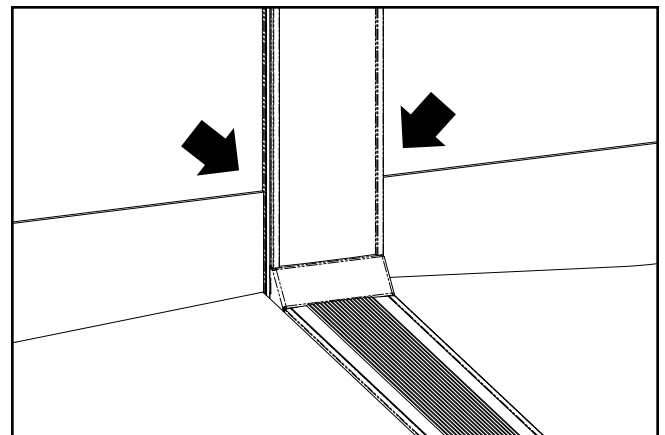
5. Drop power and data cables from ceiling, down wall track and along base track. Snap wall adapter into position where wall track meets base track.



6. Measure distance from top of wall adapter to ceiling and saw cap extrusion to that length.



7. Snap the cap extrusion onto the wall track.



8. When reapplying wall base, trim and discard segment where wall track resides.